

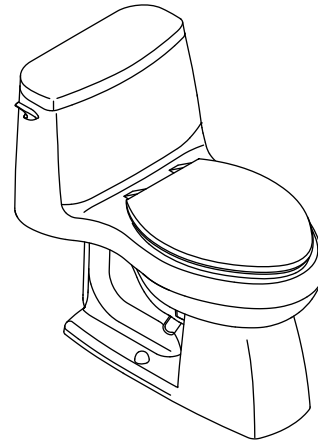
SANTA ROSA™

Features

- Vitreous china
- Elongated bowl
- AquaPiston® flushing system
- One-piece
- Less supply
- 12" (305 mm) rough-in
- 1.28 gpf (4.8 lpf)
- 2-1/8" (54 mm) glazed trapway
- Includes left-hand polished chrome trip lever, seat, and cover
- 11" (279 mm) x 8-1/8" (206 mm) water area
- 27-3/4" (705 mm) x 18-3/4" (476 mm) x 28-3/16" (716 mm)

COMFORT HEIGHT® COMPACT TOILET K-3810

ADA
CSA B651
OBC



Codes/Standards Applicable

Specified model meets or exceeds the following:

- ADA
- ICC/ANSI A117.1
- CSA B651
- OBC
- ASME A112.19.2/CSA B45.1
- EPA WaterSense®

Colors/Finishes

- 0: White
- CP: Polished Chrome
- PB: Vibrant® Polished Brass
- Other: Refer to Price Book for additional colors/finishes

Specified Model

Model	Description	Colors/Finishes	
K-3810	Comfort Height compact toilet	<input type="checkbox"/> 0	<input type="checkbox"/> Other_____

Recommended Accessories			
K-4636	Cachet® elongated toilet seat with Q3 Advantage™	<input type="checkbox"/> 0	<input type="checkbox"/> Other_____
K-4650	Lustra™ elongated open-front toilet seat – for Accessibility compliance	<input type="checkbox"/> 0	<input type="checkbox"/> Other_____
K-4731	Stronghold® elongated open-front toilet seat – for Accessibility compliance	<input type="checkbox"/> 0	<input type="checkbox"/> Other_____
K-7637	Angle supply with stop – 3/8" NPT	<input type="checkbox"/> CP	<input type="checkbox"/> PB <input type="checkbox"/> Other_____

Product Specification

The elongated bowl toilet shall be made of vitreous china. Toilet shall be one-piece. Toilet shall be 27-3/4" (705 mm) in length, 18-3/4" (476 mm) in width, and 28-3/16" (716 mm) in height with an 11" (279 mm) by 8-1/8" (206 mm) water area. Toilet shall be 12" (305 mm) rough-in with a 2-1/8" (54 mm) glazed trapway. Toilet shall be 1.28 gpf (4.8 lpf) with AquaPiston flushing system. Toilet shall include a left-hand polished chrome trip lever, seat, and cover. Toilet shall be less supply. Elongated bowl toilet shall be Kohler Model K-3810-_____.

SANTA ROSA™

Optional Accessories

K-9169-L	Trip lever (non-CP finish)	<input type="checkbox"/> PB	<input type="checkbox"/> Other_____
----------	----------------------------	-----------------------------	-------------------------------------

Technical Information

Fixture:	
Configuration	one-piece, elongated
Water per flush	1.28 gpf (4.8 lpf)
Passageway	2-1/8" (54 mm)
Water area	11" (279 mm) x 8-1/8" (206 mm)
Water depth from rim	6-1/4" (159 mm)
Seat post hole centers	5-1/2" (140 mm)
Included components:	
Tank cover	88497
Trip lever, left-hand	1151513
Toilet seat	K-4774
Tank accessory pack	52265
Bolt cap accessory pack	52048

Installation Notes

Install this product according to the installation guide.

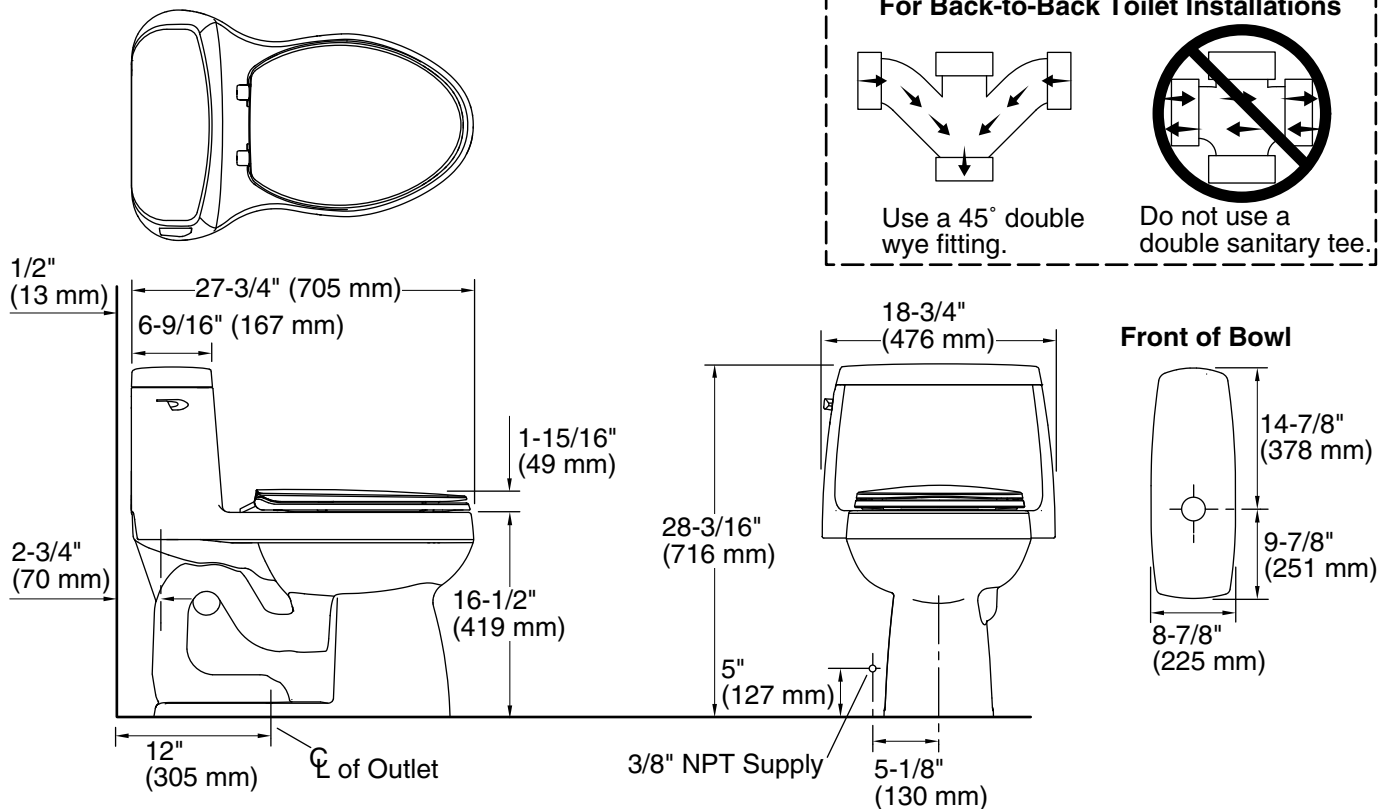
For back-to-back toilet installations: Use only a 45° double wye fitting.

Will comply with the Americans with Disabilities Act (**ADA**) when installed per the requirements of the 2010 ADA Standards for Accessible Design, Section 604 Water Closets, of the Act. The Model Plumbing Codes require the installation of elongated open-front toilet seats in public bathrooms.

The model is acceptable for left-hand Accessible compartment installations only.

Will comply with **CSA B651** when installed per Clause 4.3.6 of the standard.

Will comply with **OBC** when installed per Clause 3.8.3.8 and 3.8.3.9.



Product Diagram